

Features

- Enclosures made of copper-free aluminum
- Suitable for operation in Zones 1, 2, 21 and 22
- Certified Ex d IIB+H₂ and Ex tb
- More than 20 enclosure size options
- Free configuration of cable entries and terminals for customized terminal boxes
- Wide choice of operators for control stations
- Customizable configuration of operating elements and cable gland types as per specification
- Integration of electrical components and control elements as per customer specification
- Choice of viewing windows for monitoring instruments



Function

The EJB series of Ex d IIB+H₂ certified enclosures forms the optimal basis for the application-specific configuration of terminal boxes, control stations as well as control and distribution panels. A wide range of components and control functions can be integrated in one of many size and design options of Ex d and Ex tb certified flameproof enclosures. They are manufactured from copper-free aluminum with increased corrosion resistance. This durability and the comprehensive enclosure sizes cover the requirements of many industries including offshore and marine applications. A choice of windows allows viewing of integrated monitoring functions. Electrical components can be integrated as per customer specification.

Type Code / Model Number

Enclosure type

EJB enclosure Ex d IIB+H₂

Material

copper-free aluminum

Enclosure size

0 ... 20A see dimensions data table

Window

no window

W ... rectangular window with type indication

WG ... circular window with type indication

Electrical circuits

D without intrinsically safe circuits

I intrinsically safe circuits integrated

Type of application

U empty enclosure

T terminal box

CP control panel

CS control station

DB distribution board

MS motor starter

PS power switching

RIO remote I/O field unit

IFS interface solution

FJB fieldbus solution

OS optical solution

Q40 engineered solution per customer specification (Q40)

Variant number

-Yxxxxxx

EJB	17Q	.W1	.D	.CP	-Yxxxxxx
-----	-----	-----	----	-----	----------

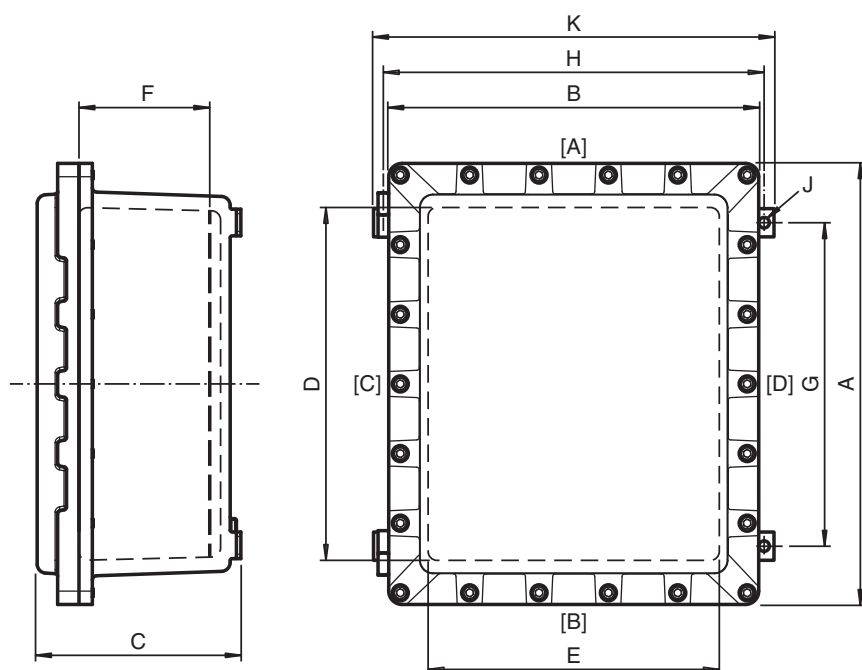
Example: Control panel EJB size 17Q in aluminum, rectangular window type 1, without intrinsically safe circuits

Release date 2018-12-18 T164865

Refer to "General Notes Relating to Pepperl+Fuchs Product Information".

Technical Data	
Electrical specifications	
Operating voltage	660 V DC / 1000 V AC max.
Operating current	1600 A max.
Mechanical specifications	
Dimensions	see data table, values might differ slightly due to casting and manufacturing tolerances dimensions are valid for standard enclosures and IP66 variants only
Thread type	metric ISO pitch 1.5 mm or NPT ANSI ASME B1.20.1
Enclosure cover	detachable, optional hinges
Cover fixing	stainless steel socket cap head screws
Cover seal	none, O-ring for IP66/67
Degree of protection	IP66 (IP66/67 with O-ring)
Cable entry	see data table
Grounding	M6 external grounding points
Mass	see data table, valid for empty enclosure, will increase according to integrated components
Material	
Enclosure	Aluminum alloy
Finish	epoxy coated RAL 7005 (grey)
O-Ring	silicone
Flamepath grease	Greasil MS4 or NEVER SEEZ Marine Grade
Glass	thermo-resistant tempered glass
Material of screws	stainless steel
Yield stress	min. 450 N/mm ²
Ambient conditions	
Ambient temperature	-50 ... 60 °C (-58 ... 140 °F) depending on integrated components
Data for application in connection with hazardous areas	
EU-Type Examination Certificate	INERIS 14 ATEX 0022X INERIS 14 ATEX 9010U
Marking	ⓧ II 2 GD Ex d IIB+H ₂ T* Gb Ex tb IIIC T** °C Db T6/T85 °C T5/T100 °C T4/T135 °C T3/T200 °C depending on configuration, ambient temperature and built-in power loss
Maximum power dissipation	see data table, maximum power dissipation at T4/+40 °C, enclosure without window
International approvals	
IECEX approval	IECEX INE 14.0029X IECEX INE 14.0028U
EAC approval	TC RU C-IT.AA87.B.00156
Further approvals	available on request
Conformity	
Degree of protection	EN60529
CE marking	0080 or 0102, see type label
General information	
Ordering information	This Solution will be delivered completely configured and assembled ready for use. For configuration details please contact Customer Service.
Supplementary information	EC-Type Examination Certificate, Statement of Conformity, Declaration of Conformity, Attestation of Conformity and instructions have to be observed where applicable. For information see www.pepperl-fuchs.com .

Dimensions



Legend

A	Height
B	Width
C	Depth
D	Internal height
E	Internal width
F	Internal depth to surface mounting plate
G	Mounting holes distance, vertical
H	Mounting holes distance, horizontal
J	Mounting holes diameter
K	Maximum external dimension of the mounting brackets
[A] ... [D]	Cable entry faces

Dimension values see data table.
Real values might differ slightly due to casting and manufacturing tolerances. Dimensions are valid for standard enclosures and IP66 variants only.
Image and drawing are generic for this enclosure type and may deviate from the specific variant.

Dimensions and Enclosure Details

Type	External dimensions [mm]				Internal dimensions [mm]			Mounting [mm]			Mass [kg]	Cover screws			Max. power dissipation at T ₄ /+40 °C [W]
	A	B	C	K	D	E	F	G	H	J		Mx	qty.	Torque [Nm]	
EJB0*	200	136	150	128	140	75	115	133	108	8	3.8	M6	6	15	51
EJB2A*	220	220	159	226	162	162	130	157	206	8	6.4	M6	8	15	104
EJB4A*	265	225	180	226	200	160	136	188	206	8	8.5	M8	10	20	125
EJB6A*	332	232	172	216	250	150	133	230	196	8	9.8	M8	10	20	139
EJB8*	390	290	182	270	300	200	131	282	250	10	15.7	M8	14	20	192
EJB8A*	390	290	204	270	300	200	153	282	250	10	16.6	M8	14	20	211
EJB8B*	390	290	237	270	300	200	186	282	250	10	17.9	M8	14	20	236
EJB9A*	412	242	186	226	330	160	139	312	206	8	14.2	M8	14	20	185
EJB9B*	412	242	258	226	330	160	211	312	206	8	16.8	M8	14	20	238
EJB10A*	468	358	215	350	370	260	165	345	320	9	25.1	M8	16	20	305
EJB10B*	468	358	265	350	370	260	215	345	320	9	28.7	M8	16	20	353
EJB11A*	498	418	225	415	400	320	173	363	385	10	32	M10	22	30	383
EJB11B*	498	418	276	415	400	320	218	363	385	10	37	M10	22	30	432
EJB15*	580	430	226	460	500	350	172	460	430	11	40.8	M10	20	30	481
EJB15A*	580	430	282	460	500	350	221	460	430	11	52	M10	20	30	540
EJB17*	676	503	269	494	570	397	198	538	464	11	56	M10	22	30	745
EJB17A*	676	503	389	494	570	397	317	538	464	11	67	M10	22	30	746
EJB17Q*	630	630	368	613	500	500	278	453	583	11	94	M12	24	40	593
EJB18A*	750	537	303	535	640	427	213	509	505	11	85	M12	24	40	707
EJB18B*	750	537	408	535	640	427	318	509	505	11	100	M12	24	40	864
EJB20*	935	685	353	670	805	555	247	668	630	14	167	M16	32	65	1616
EJB20A*	935	685	500	670	805	555	393	668	630	14	195	M16	32	65	1616

Mass is valid for empty enclosure, it will increase according to integrated components and cable glands
Dimensions are valid for standard enclosures and IP66 variants only

Refer to "General Notes Relating to Pepperl+Fuchs Product Information".

Pepperl+Fuchs Group
www.pepperl-fuchs.com

USA: +1 330 486 0002
pa-info@us.pepperl-fuchs.com

Germany: +49 621 776 2222
pa-info@de.pepperl-fuchs.com

Singapore: +65 6779 9091
pa-info@sg.pepperl-fuchs.com

 PEPPERL+FUCHS

Cable Entries max. Quantity per Size

Type	Faces A and B								Faces C and D								Cover		
	M20	M25	M32	M42	M50	M63	M75	M85	M20	M25	M32	M42	M50	M63	M75	M85	M12	M20	M32
	1/2"	3/4"	1"	1-1/4"	1-1/2"	2"	2-1/2"	3"	1/2"	3/4"	1"	1-1/4"	1-1/2"	2"	2-1/2"	3"	1/4"	1/2"	1"
EJB0*	4	3	1	1	1	1	-	-	5	4	3	2	2	1	-	-	4	3	3
EJB2A*	8	8	5	3	2	1	-	-	8	8	5	3	2	1	-	-	9	9	5
EJB4A*	6	5	4	4	3	2	-	-	8	6	5	5	4	2	-	-	20	16	9
EJB6A*	6	6	4	2	2	1	-	-	12	10	8	3	3	2	-	-	12	12	10
EJB8*	9	8	6	3	2	2	1	-	14	12	10	4	4	3	2	-	20	20	14
EJB8A*	12	8	6	3	3	2	1	1	17	12	10	6	4	3	2	2	20	20	14
EJB8B*	14	12	9	6	4	3	2	1	22	20	14	8	7	5	3	2	20	20	14
EJB9A*	8	6	5	2	2	1	1	-	14	13	10	4	4	3	3	-	20	20	12
EJB9B*	12	9	8	4	4	2	1	1	26	19	15	8	8	5	3	2	20	20	12
EJB10A*	15	12	8	6	3	3	2	2	20	18	12	9	7	4	3	2	30	30	20
EJB10B*	18	15	12	6	5	4	2	2	25	23	18	10	8	7	3	3	30	30	20
EJB11A*	14	14	10	7	5	4	3	2	20	20	13	9	7	5	3	3	28	28	24
EJB11B*	18	18	14	8	8	5	3	2	21	21	17	10	10	7	4	3	28	28	24
EJB15*	17	17	10	8	7	4	3	2	23	23	14	10	10	5	4	3	40	40	30
EJB15A*	18	18	11	8	8	5	3	3	24	24	17	12	12	7	5	3	40	40	30
EJB17*	28	21	15	10	9	5	3	3	38	30	25	13	13	9	5	4	49	49	40
EJB17A*	32	28	25	15	13	8	6	5	50	45	38	20	18	14	8	5	49	49	40
EJB17Q*	49	35	26	17	15	10	7	5	49	35	26	17	15	10	7	5	53	53	45
EJB18A*	29	22	17	11	9	5	4	3	44	34	25	16	15	7	6	4	52	52	45
EJB18B*	45	35	26	17	15	12	6	5	57	50	43	28	21	17	8	8	52	52	45
EJB20*	34	30	20	11	10	8	3	2	50	46	31	15	14	10	7	5	65	65	52
EJB20A*	50	43	38	28	21	16	8	6	80	70	54	43	32	23	10	9	65	65	52

Metric ISO pitch 1.5mm, NPT ANSI ASME B1.20.1

Table shows drilling pattern for ambient temperature range -20 ... +60 °C, for lower temperatures please contact Pepperl+Fuchs
For types of cable glands and combination of different gland sizes please contact Pepperl+Fuchs