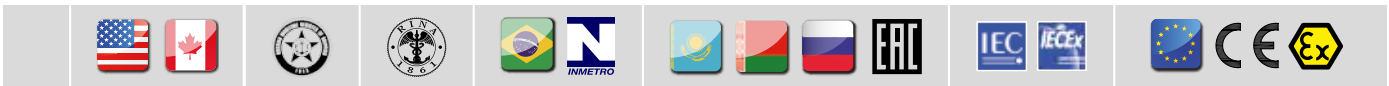




EYS-EZS-EZD-RMF-RFF Sealing fittings and three pieces union

Installation: hazardous areas - Zone 1 / 2 (Gases) - Zone 21 / 22 (Dusts)

Classification: Group II - Category 2G 2D



REFERENCE STANDARDS

Directive 94/9/EC (until April 19th, 2016) and Directive 2014/34/EU (from April 20th, 2016)

EXECUTION	<ul style="list-style-type: none"> ⊗ II 2 G Ex d IIC Gb ⊗ II 2 D Ex tb IIIC Db
RULES OF COMPLIANCE	EN/IEC 60079-0; EN/IEC 60079-1; EN/IEC 61241-0; EN/IEC 61241-1
EC Type-Examination Certificate	ICEPI 11 ATEX 03C002 (sealing fittings) INERIS 12 ATEX 0069X (three pieces union)
PROTECTION DEGREE	IP66 (sealing fittings) IP66/IP67 (three pieces union)
AMBIENT TEMPERATURE	-20°C ÷ +60°C
OTHER AVAILABLE CERTIFICATES	<ul style="list-style-type: none"> IECEx: IECEx INE 12.0051X (three pieces union) INMETRO: CEPEL 13.2243U (three pieces union) EAC: TC RU C-IT.ГБ08.В 01624 (-60°C ÷ +80°C) RUSSIAN MARINE CERTIFICATE (RMRS): 13.03518.315 UL NEC-505: 20131204-E465038 (three pieces union)

SEALING FITTINGS - Mechanical characteristics

Material marine grade copper free aluminium light alloy

THREE PIECE UNIONS - Mechanical characteristics

Material galvanized steel

Gasket silicon rubber EPDM

On Request Accessories:

- Different threads from standard
- Different materials from standard

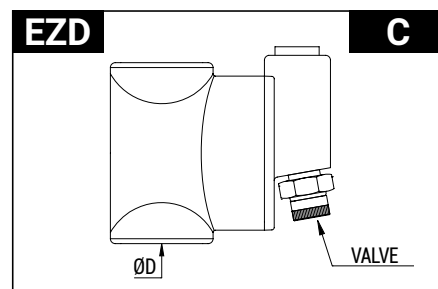
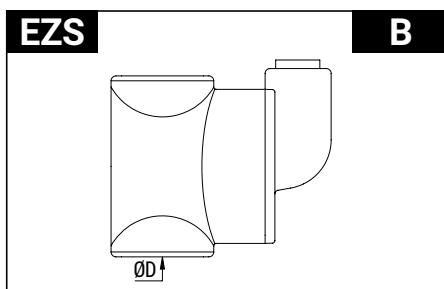
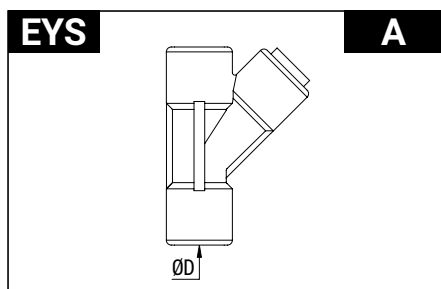


DETAIL "A"	DETAIL "B"	DETAIL "C"	ØD HUBS (UNI6125 OR NPT)
TYPE	TYPE	TYPE	
EYS1	EZS1	EZD1	1/2"
EYS2	EZS2	EZD2	3/4"
EYS3	EZS3	EZD3	1"
-	EZS5	EZD5	1-1/2"
-	EZS6	EZD6	2"
-	EZS7	EZD7	2-1/2"
-	EZS8	EZD8	3"

Sealing compound table

SIZE	EYS	EZS - EZD
	QUANTITY [gr]	QUANTITY [gr]
1	35	140
2	50	140
3	100	140
5	-	390
6	-	570
7	-	1000
8	-	1000

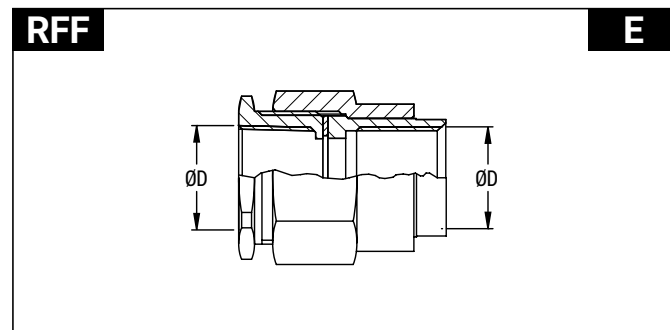
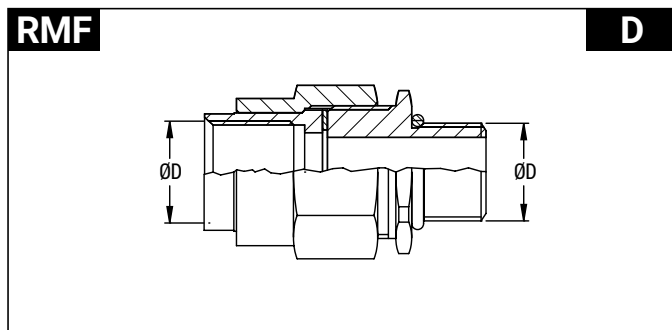
SEALING FITTINGS TO BE SEALED BY MEANS OF CRV-420 BI-COMPONENT SEALING COMPOUND PLEASE REFER TO SEALING TABLE FOR QUANTITIES.



RMF-RFF THREE PIECES UNION - Technical Features

THREE PIECE UNION MALE/FEMALE Ex d IIC		
TYPE	ØD	DETAIL
RMF1	1/2"	D
RMF2	3/4"	D
RMF3	1"	D
RMF4	1-1/4"	D
RMF5	1-1/2"	D
RMF6	2"	D
RMF7	2-1/2"	D
RMF8	3"	D

THREE PIECE UNION FEMALE/FEMALE Ex d IIC		
TYPE	ØD	DETAIL
RFF1	1/2"	E
RFF2	3/4"	E
RFF3	1"	E
RFF4	1-1/4"	E
RFF5	1-1/2"	E
RFF6	2"	E
RFF7	2-1/2"	E
RFF8	3"	E



REMARK:

Due to the development of the national and international specifications and of the technology, the above technical characteristics showed on this bulletin can be considered as binding on our confirmation only.