



- Standard enclosures
- Corrosion resistance
- Customer-tailored solutions

This series features control, signalling and display units fitted into stainless steel standard enclosures. The enclosures are certified for use in Zone 1/21 and Zone 2/22. The equipment is highly corrosion resistant due to high quality stainless steel grades. Either plastic or metal glands are used for electrical connection. On request, BARTEC will equip the enclosures with corresponding control, signalling and display units and cable glands and supply the required labels.

Explosion protection

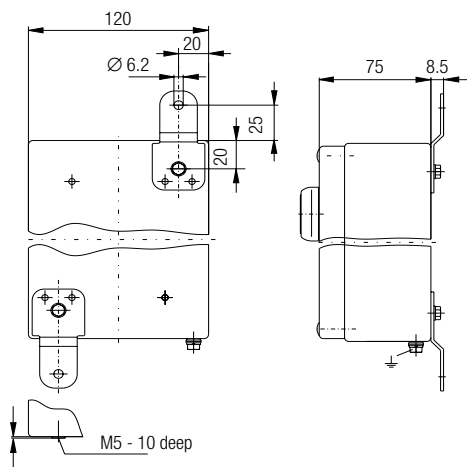
Marking ATEX	ⓧ II 2G Ex db eb IIC T6 Gb ⓧ II 2D Ex tb IIIC T80 °C Db
Certification	IBExU 12 ATEX 1099
Marking IECEx	Ex db eb IIC T6 Gb Ex tb IIIC T80 °C Db
Certification	IECEx IBE 12.0031
Other approvals and certificates, see www.bartec.de	
Permissible ambient temperature	-20 °C to +40 °C -55 °C to +60 °C (depending on the fitted components)
Product printing	Standard: ATEX and IECEx marking. Other markings on request. Please specify in plain text.

Technical data

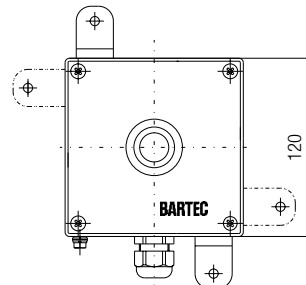
Connection	Terminals 2.5 mm ²
Bore hole for bushings	Standard version: 1 x M20 x 1.5 Special versions: 2 x M20 x 1.5 up to max. 1 x M40 x 1.5
Enclosure	Stainless steel 316 L, 312 L
Protection class	IP 65/IP 66

Technical data subject to change without notice.

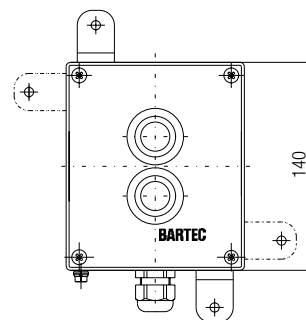
Mounting dimensions



Control unit, single Type 07-3232-1275/....



Control station, double Type 07-3132-1475/....



Control station, triple Type 07-3132-1875/....

